

Drafting Services:

**ADUP PTY LTD.**  
Project Drafting

2 Baker Street Oatley NSW 2223  
PO Box 6 Oatley NSW 2223

Tel: (02)9579 2304      cad@adup.com.au  
Mobile: 0418 414 243      www.adup.com.au

Designer

XXXXXX PTY. LTD.

6-10 XXXXX AVENUE  
PO BOX 0000 XXXXXXXX NSW 2216 AUSTRALIA

Email: XXX@XXXXX.com.au  
www.XXXXX.com

Tel: +61 (0) 2/9000 0000 Fax: +61 (0) 2/0000 0000  
Mob: +61 (0) 0000 000 000

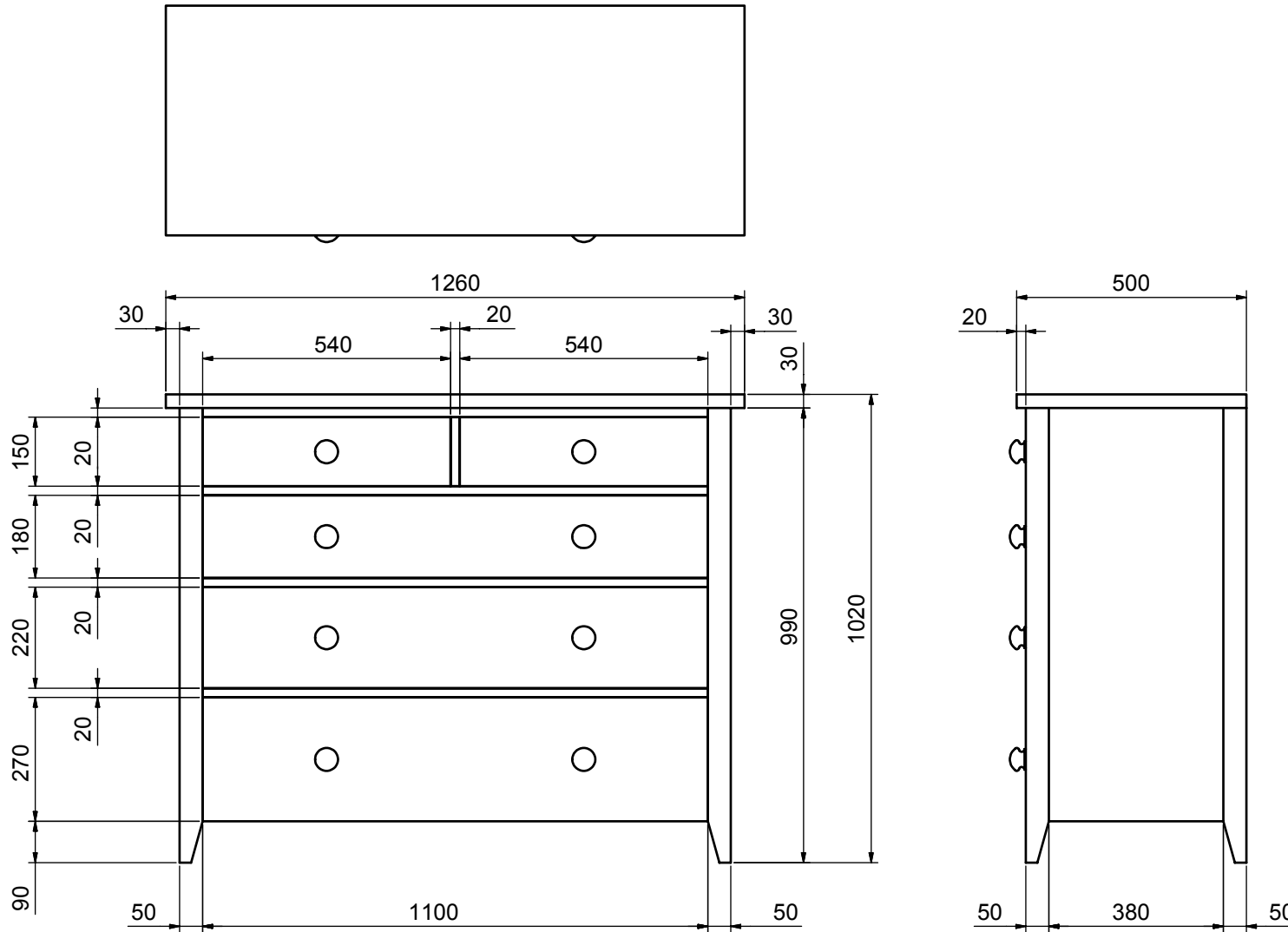
Project

Title

**5 DRAWER  
CHEST OF DRAWERS  
TASMANIAN BLACKWOOD**

DATE 06-08-2008      DRAWING NUMBER  
DRAWN N.WELSH  
CKD  
SCALE      SHEET 1 OF 3

0



Drafting Services:

**ADUP PTY LTD.**  
Project Drafting

2 Baker Street Oatley NSW 2223  
PO Box 6 Oatley NSW 2223

Tel: (02)9579 2304      cad@adup.com.au  
Mobile: 0418 414 243      www.adup.com.au

Designer

**XXXXXX PTY. LTD.**

6-10 XXXXX AVENUE  
PO BOX 0000 XXXXXXXX NSW 2216 AUSTRALIA

Email: XXX@XXXXX.com.au  
Tel: +61 (0) 2/9000 0000 Fax: +61 (0) 2/0000 0000  
www.XXXXX.com  
Mob: +61 (0) 0000 000 000

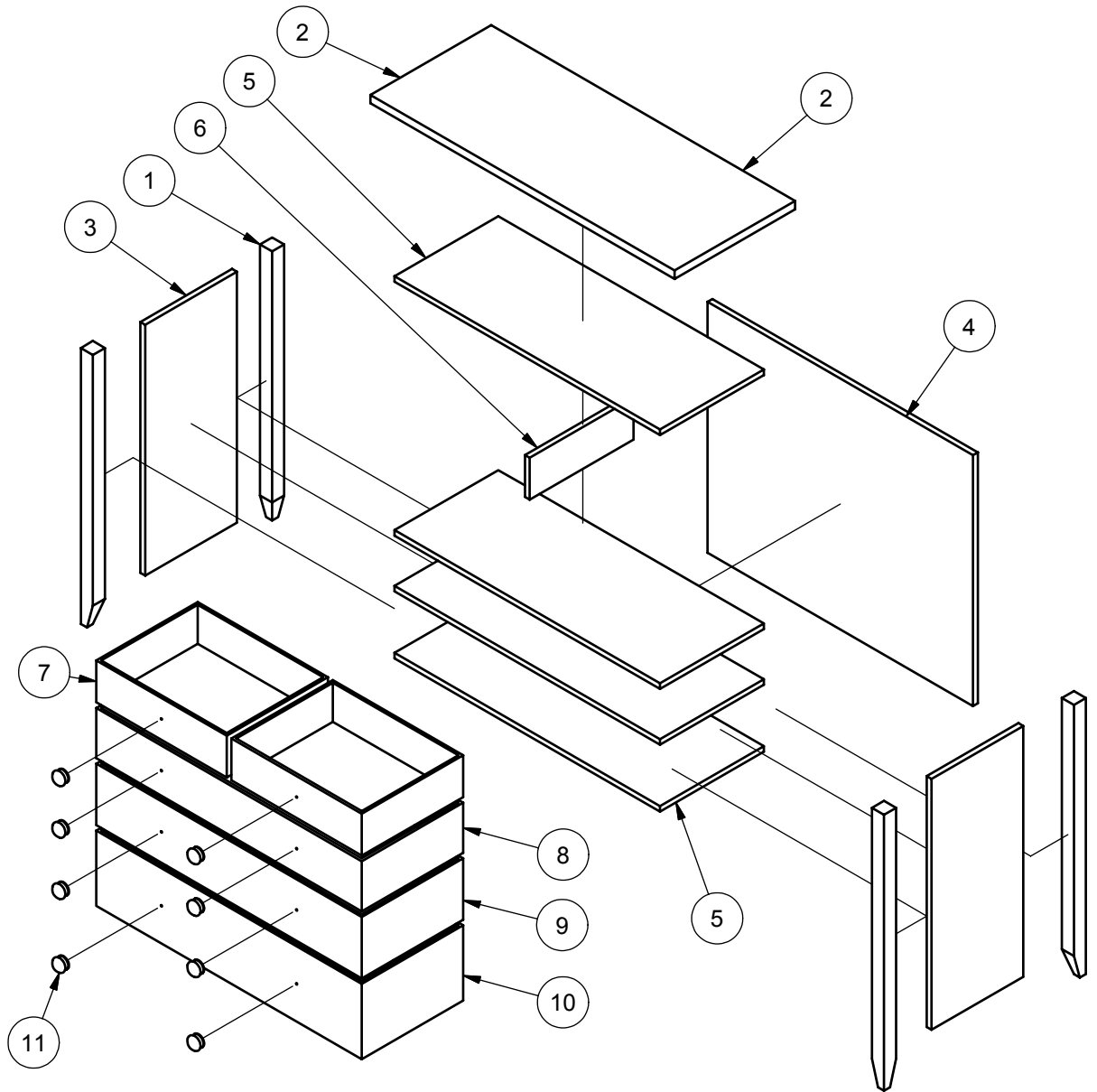
Project

Title

**5 DRAWERS  
CHEST OF DRAWERS  
TASMANIAN BLACKWOOD**

DATE 06-08-08      DRAWING NUMBER  
DRAWN N.WELSH  
CKD  
SCALE      SHEET 2 OF 3

11	8	Drawers_Handle	
10	1	Drawers_270x1100	
9	1	Drawers_220x1100	
8	1	Drawers_180x1100	
7	2	Drawers_150x540	
6	1	Drawers_divider	20 x 150 x 430
5	4	Drawers_Shelf	20 x 1100 x 430
4	1	Drawers_back	20 x 900 x 1100
3	2	Drawers_Side	20 x 380 x 900
2	1	Drawers_Top	30 x 500 x 1260
1	4	Drawers_Leg	50 x 50 x 990
ITEM	QTY	PART NUMBER	TITLE
Parts List			



Drafting  
Services:

**ADUP PTY LTD.**  
Project Drafting

2 Baker Street Oatley NSW 2223  
PO Box 6 Oatley NSW 2223

Tel: (02)9579 2304  
Mobile: 0418 414 243

cad@adup.com.au  
www.adup.com.au

Designer

**XXXXXX PTY. LTD.**

6-10 XXXXX AVENUE  
PO BOX 0000 XXXXXXXX NSW 2216 AUSTRALIA

Email: XXX@XXXXX.com.au  
www.XXXXX.com  
Tel: +61 (0) 2/9000 0000 Fax: +61 (0) 2/0000 0000  
Mob: +61 (0) 0000 000 000

Project

Title

**5 DRAWERS  
CHEST OF DRAWERS  
TASMANIAN BLACKWOOD**

DATE 06-08-08  
DRAWN N.WELSH  
CKD  
SCALE

DRAWING NUMBER

SHEET 3 OF 3